

Email: [sales@southdock.co.nz](mailto:sales@southdock.co.nz)  
Website: [www.southdock.co.nz](http://www.southdock.co.nz)

**SOUTH DOCK MODELS**  
Rodger & Christina Cullen  
P O Box 402, Blenheim 7240 NZ

## PRODUCT CATALOGUE

### SOUTH DOCK MODELS KITS Sn3.5 Scale (1:64)

Kits are shown on a separate catalogue and available on line at: [www.southdock.co.nz](http://www.southdock.co.nz)

#### Welcome to South Dock Models.

Our current catalogue includes items we have available in our extended range. Please note some of these items are limited in supply at times and will be replenished as and when stock becomes available.

Website: [www.southdock.co.nz](http://www.southdock.co.nz)

1. South Dock Models has a range of wagon and coach bogies in white metal with some options in brass also.
2. Fastenings (screws, nuts & bolts), drills, taps and dies
3. Metals in mainly metric sizes, with some imperial still available
4. NZR colour matched paint range is available from South Dock Models
5. South Dock Models kit catalogue is available and kits are listed on our website
6. Our kits are NZR 1:64 scale
7. Layout detail and building accessories are available, **please ask**. These will be added to the catalogue and website in due course.
8. NZR track signals and track detail in 1:64 scale
9. We have Low melt solder (70°C)

#### NZR BOGIES

South Dock Models produce a range of high-quality brass bogies for NZR rolling stock in 1:64 scale, to compliment some of the white metal options available in our kits, **enquiries welcome**.

The brass bogies feature equalized brass side frames, screwdriver assembly and include all the parts illustrated in the diagram below.

A jeweller's saw should be used to cut the side frames from the casting sprue, then clean up with small files. Assembly is by screwdriver, with all necessary holes being pre-drilled and tapped.

Equalising: South Dock brass bogies are designed to equalize about their pivot screws, with a small amount of movement provided between the stretcher ends and the mounting boss on the rear face of the bogie side. File the mounting boss to provide additional clearance if required.

## BRASS BOGIE KITS

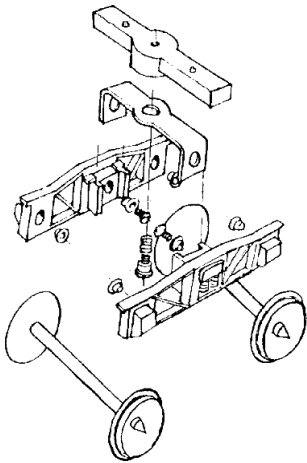
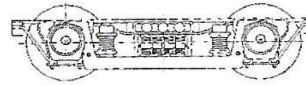


Diagram shows parts supplied with the brass bogie

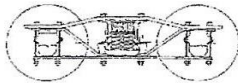
NOTE: Bogie Diagrams shown below are an artist's impression only and are not dimensionally to scale.



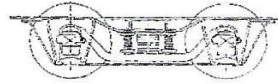
**B25330**



**B7781-1**



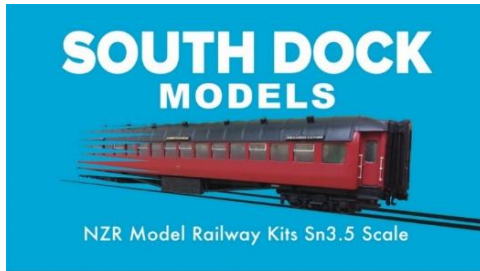
**B3181**



**B1656**

PART NO.	TYPE	PROTOTYPE WHEELBASE	WHEELS	PINPOINT AXLE LENGTH	RAIL TO TOP OF STRETCHER	APPLICATIONS
B3181	Freight	4' 7½"	12mm split spoke	26mm	9.5mm	Rb 1-4; Ua 5; Ub 1-3; Uc 1-5, 7, 8, 10; Vb 1-5; Z 9-12
B7781-1	Car (Isothermos axleboxes)	6' 0"	12mm 2 hole disc	26mm	9.5mm	50' Suburban Cars
B1656	Car	4' 10"	12mm split spoke	25mm	9.5mm	44' Cars; some 47½' Cars; numerous brake vans
B25330	Car	6' 0"	12mm 2 hole disc	26mm	9.5mm	56' Cars and vans; some 50' cars; some Z wagons

NOTE: All items subject to availability



Email: sales@southdock.co.nz  
 Website: www.southdock.co.nz

**SOUTH DOCK MODELS**  
 Rodger & Christina Cullen  
 P O Box 402, Blenheim 7240 NZ

## FASTENINGS, DRILLS, TAPS & DIES CATALOGUE

### MACHINE SCREWS, STEEL CSK Pack of 20

201403	M1.4 x 3	csk pozi NP
201608	M1.6 x 8	csk slot ZP
201612	M1.6 x 12	csk slot ZP
201616	M1.6 x 16	csk slot ZP
202004	M2 x 4	csk slot ZP
202006	M2 x 6	csk slot ZP
202012	M2 x 12	csk slot ZP
202016	M2 x 16	csk slot ZP
203012	M3 x 12	csk slot ZP
203025	M3 x 25	csk slot ZP

### MACHINE SCREWS, STEEL PAN / CHEESE

#### Pack of 20

211003	M1 x 3	pan pozi black
211004	M1 x 4	pan pozi black
211005	M1 x 5	pan pozi ZP
211403	M1.4 x 3	pan pozi black
211405	M1.4 x 5	pan pozi black
211406	M1.4 x 6	pan pozi black
211606	M1.6 x 6	pan Phillips ZP
211608	M1.6 x 8	cheese slot ZP
211612	M1.6 x 12	cheese slot ZP
211616	M1.6 x 16	cheese slot ZP
211620	M1.6 x 20	cheese slot ZP
212004	M2 x 4	cheese slot ZP
212006	M2 x 6	cheese slot ZP
212008	M2 x 8	cheese slot ZP
212012	M2 x 12	cheese slot ZP
212016	M2 x 16	cheese slot ZP
212020	M2 x 20	cheese slot ZP
212030	M2 x 30	cheese slot ZP
213012	M3 x 12	pan slot ZP
213025	M3 x 25	pan slot ZP

### MACHINE SCREWS, BRASS Pack of 20

272012	M2 x 12	csk slot
282003	M2 x 3	cheese slot
282004	M2 x 4	cheese slot
282005	M2 x 5	cheese slot
282006	M2 x 6	cheese slot
282012	M2 x 12	cheese slot

### WOODSCREWS, BRASS Packs of 20

291610	Ø1.6 x 10	csk slot
291813	Ø1.8 x 13	csk slot
292006	Ø2 x 6	csk slot
292010	Ø2 x 10	csk slot
292516	Ø2.5 x 16	csk slot
231610	Ø1.6 x 10	round slot
232006	Ø2 x 6	round slot
232010	Ø2 x 10	round slot

### HEXAGON NUTS - ISO hex Packs of 20

#### (Limited Stock)

24114	M1.4	Steel ZP
24116	M1.6	Steel ZP
24020	M2	Brass
24120	M2	Steel ZP
24130	M3	Steel ZP

### HEX HEAD BOLTS, STEEL Packs of 20

#### ISO standard hex head

2123012	M3 x 12	5.5 hex
2123025	M3 x 25	5.5 hex

### MODEL ENGINEERING BOLTS, STEEL

#### (Limited Stock)

#### Packs of 10

2132015	M2 x 15	3.0 hex
2133015	M3 x 15	4.0 hex

**SELF TAPPING SCREWS**      **Packs of 20**

Phillips drive, pointed end

ST2205    Ø2.2 x 4.8    steel pan ZP

ST2206    Ø2.2 x 6.3    steel pan ZP

ST2210    Ø2.2 x 9.5    steel pan ZP

ST2213    Ø2.2 x 12.7   steel pan

ZP ST2225   Ø2.2 x 25.4   steel pan ZP

**WASHERS FOR SCREWS**      **Packs of 20****(Some Stock Limited)**

25111    M1 x 2.5 x 0.3   Steel ZP

25116    M1.4 x 3.0 x 0.3   Brass

25216    M1.4 x 3.0 x 0.3   Steel ZP

25017    M1.6 x 4.0 x 0.3   Steel ZP

25123    M2 x 5.0 x 0.3   Brass

25122    M2 x 5.0 x 0.3   Steel ZP

**DRILLS – High Speed Steel**

3303    0.3mm                    3317    1.7mm

3304    0.4mm                    3318    1.8mm

3305    0.5mm                    3319    1.9mm

3306    0.6mm                    3320    2.0mm

3307    0.7mm                    3321    2.1mm

3308    0.8mm                    3322    2.2mm

3309    0.9mm                    3323    2.3mm

3310    1.0mm                    3324    2.4mm

3311    1.1mm                    3325    2.5mm

3312    1.2mm                    3326    2.6mm

3313    1.3mm                    3327    2.7mm

3314    1.4mm                    3328    2.8mm

3315    1.5mm                    3329    2.9mm

3316    1.6mm                    3330    3.0mm

**CENTRE DRILLS - High Speed Steel.****Double ended, 60° included angle.****Size is point diameter x body diameter**

CD05    0.5 x 3.15mm

CD08    0.8 x 3.15mm

CD10    1.0 x 3.15mm

CD16    1.6 x 4.0mm

CD20    2.0 x 5.0mm

**MODEL ENGINEERING NUTS, STEEL****(Limited Stock)****Packs of 10**

24325    M2.5                    3.5 hex

24330    M3                        4.0 hex

**MODEL ENGINEERING BOLTS, BRASS****(Limited Stock)****Packs of 20**

221404    M1.4 x 4                2.5 hex

221405    M1.4 x 5                2.5 hex

221410    M1.4 x 10               2.5 hex

**WASHERS – OTHER****Packs of 20**

25021    Ø2.1 x Ø6.0 x 0.8    Acetal

25022    Ø2.0 x Ø4.5 x 0.5    Brass

**TAPS – Carbon Steel .****I.S.O. Metric Coarse Thread****Intermediate lead usually supplied**

3010    M1

3014    M1.4

3016    M1.6

3020    M2

3030    M3

3050    M5

**CIRCULAR DIES****I.S.O. Metric Coarse Thread.****Usually 13/16" (20.64mm) body dia**

3114    M1.4    high speed steel

3116    M1.6    high speed steel

3120    M2      carbon steel

3150    M5      carbon steel

**REAMERS – High Speed Steel**

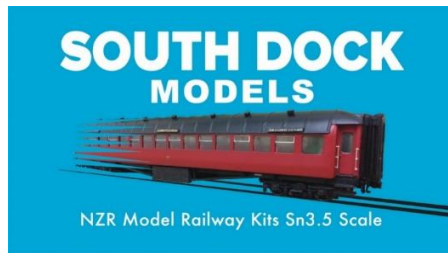
RHM.02    2.0 Parallel Hand Reamer

RHM.024    2.4 Parallel Hand Reamer

RHM.03    3.0 Parallel Hand Reamer

RHM.05    5.0 Parallel Hand Reamer

**NOTE: All items subject to availability**



Email: [sales@southdock.co.nz](mailto:sales@southdock.co.nz)  
 Website: [www.southdock.co.nz](http://www.southdock.co.nz)

**SOUTH DOCK MODELS**  
 Rodger & Christina Cullen  
 P O Box 402, Blenheim 7240 NZ

## METALS & MATERIALS CATALOGUE

### Brass Wire

501.025	Brass wire 0.25mm x 300mm
501.03	Brass wire 0.3mm x 300mm
501.04	Brass wire 0.4mm x 300mm
501.05	Brass wire 0.5mm x 300mm
501.06	Brass wire 0.6mm x 300mm
501.07	Brass wire 0.7mm x 300mm
501.08	Brass wire 0.8mm x 300mm
501.09	Brass wire 0.9mm x 300mm
501.10	Brass wire 1.0mm x 300mm
501.12	Brass wire 1.2mm x 300mm
501.15	Brass rod 1.5mm x 300mm
501.16	Brass wire 1.6mm x 300mm
501.20	Brass rod 2.00mm x 300mm
501.25	Brass rod 2.5mm x 300mm
501.30	Brass rod 3.0mm x 300mm
501.317	Brass rod 3.17mm x 305mm
501.35	Brass rod 3.5mm x 300mm
501.40	Brass rod 4.0mm x 300mm
501.45	Brass rod 4.5mm x 300mm
501.50	Brass rod 5.0mm x 300mm
501.55	Brass rod 5.5mm x 300mm
501.60	Brass rod 6.0mm x 300mm
501.65	Brass rod 6.5mm x 300mm
501.70	Brass rod 7.0mm x 300mm
501.75	Brass rod 7.5mm x 300mm
501.80	Brass rod 8.0mm x 300mm
501.85	Brass rod 8.5mm x 300mm
501.90	Brass rod 9.0mm x 300mm
501.95	Brass rod 9.5mm x 300mm
501.100	Brass rod 10.0mm x 300mm
501.110	Brass rod 11.0mm x 300mm
501.120	Brass rod 12.0mm x300mm

### Brass Square

502.10	Brass square 1.0 x 300mm
502.15	Brass square 1.5 x 300mm
502.20	Brass square 2.0 x 300mm
502.25	Brass square 2.5 x 300mm
502.32	Brass square 3.2 x 300mm
502.48	Brass square 4.8 x 300mm
502.50	Brass square 5.0 x 250mm

### Brass Angle

508.10	Brass L 1 x 1 x .25 300mm
508.12	Brass L 1.2 x 1.2 x .30 300mm
508.15	Brass L 1.5 x 1.5 x .30 300mm
508.16	Brass L 1.6 x 1.6 x .35 300mm
508.20	Brass L 2 x 2 x .40 300mm
508.48	Brass L 4.8 x 4.8 x .66 300mm

### Phosphor Bronze

511.04	Ph Brnz Wire 0.4mm x 300mm
511.05	Ph Brnz Wire 0.5mm x 300mm
511.08	Ph Brnz Wire 0.8mm x 300mm

### Brass Hex

503.10	Brass hex 1.0mm AF x 300mm
503.20	Brass hex 2.0mm AF x 300mm
503.25	Brass hex 2.5mm AF x 300mm
503.30	Brass hex 3.0mm AF x 300mm
503.40	Brass hex 4.0mm AF x300mm
503.79	Brass hex 7.9mm AF x 250mm

### Brass Flat

536.1606	BMS flat 1.6 x 6.3 x 300mm
536.3012	BMS flat 3 x 12 x 300mm
536.302	BMS flat 3 x 20 x 300mm
536.3025	BMS flat 3 x 25 x 300mm
536.305	BMS flat 3 x 50 x 300mm

### Nickel Silver

551.045	Nickel Silver wire 0.45 x 300
551.06	Nickel Silver wire 0.6 x 300
551.08	Nickel Silver wire 0.8 x 300
551.873	Nickel Silver rod 8.73 x 300
551.127	Nickel Silver rod 12.7 x 300

### Silver Steel

521.16	Silver steel 1.6 x 300mm
521.20	Silver steel Ø2 x 300mm
521.25	Silver steel Ø2.5 x 300mm
521.30	Silver steel Ø3 x 300mm

502.60	Brass Square 6.0 x 250mm
502.63	Brass square 6.3 x 300mm
502.79	Brass square 7.9 x 300mm
502.95	Brass square 9.5 x 300mm
502.127	Brass square 12.7 x 300mm

#### Brass Tube

500.010	Brass tube 1.0 x 0.20 300mm
500.015	Brass tube 1.5 x 0.20 300mm
500.020	Brass tube 2.0 x 0.30 300mm
500.025	Brass tube 2.5 x 0.45 300mm
500.030	Brass tube 3.0 x 0.45 300mm
500.040	Brass tube 4.0 x 0.45 300mm
500.050	Brass tube 5.0 x 0.45 300mm
500.060	Brass tube 6.0 x 0.45 300mm
500.070	Brass tube 7.0 x 0.45 300mm
500.080	Brass tube 8.0 x 0.45 300mm
500.090	Brass tube 9.0 x 0.45 300mm
500.095	Brass tube 9.52 x .90 300mm
500.100	Brass tube 10.0 x 0.50 300mm
500.110	Brass tube 11.0 x 0.50 300mm
500.120	Brass tube 12.0 x 0.50 300mm
500.159	Brass tube 15.9 x 0.90 300mm
501.166	Brass tube 16.6 x 0.90 300mm
502.159	Brass tube 15.9 x 0.90 300mm
500.222	Brass tube 22.2 x 0.90 300mm
500.254	Brass tube 25.4 x 0.90 300mm

#### Brass Channel

505.15	Brass chnl 1.5 x 1.5 x 3 300mm
505.20	Brass chnl 2 x 1 x .40 300mm
505.30	Brass chnl 3 x 1.5 x .4 300mm
505.40	Brass chnl 4 x 2 x .50 300mm
505.50	Brass chnl 5 x 3 x .60 300mm
505.127	Brass chnl 12.7 x 12.7 300mm

#### Brass Flat Bar

506.04008	Brass flat 0.4 x 0.8 x 300mm
506.1002	Brass flat 1 x 2 x 300mm
506.1503	Brass flat 1.5 x 3 x 300mm
506.1619	Brass flat 1.6 x 19.0 x 300mm
506.2004	Brass flat 2 x 4 x 300mm
506.2006	Brass flat 2 x 6 x 300mm
506.3005	Brass flat 3 x 5 x 250mm
506.3225	Brass flat 3.2 x 25.4 x 300mm

#### Brass Threaded Rod

TRB.2	Brass Threaded Rod M2 x 300mm
-------	-------------------------------

521.40	Silver steel Ø4 x 300mm
521.50	Silver steel Ø5 x 300mm
521.60	Silver steel Ø6 x 300mm
521.80	Silver steel Ø8 x 300mm
521.100	Silver steel Ø10 x 300mm
521.120	Silver steel Ø12 x 300mm

#### Stainless Rod

541.10	Stainless Rod Ø10 x 300 T303
541.10	Stainless Rod Ø1 x 300 T316
541.12	Stainless Rod Ø1.2 x 300 T316
541.20	Stainless Rod Ø2.0 x 300 T316
541.24	Stainless Rod Ø2.4 x 300 T303
541.30	Stainless Rod Ø3 x 300 T303
541.318	Stainless Rod Ø3.18x 300 T303
541.476	Stainless Rod Ø4.76x300 T303
541.50	Stainless Rod Ø5 x 300 T304
541.60	Stainless Rod Ø6 x 300 T303
541.635	Stainless Rod Ø6.35x300 T303

#### Bright Mild Steel

531.20	BMS round Ø2 x 300mm
531.30	BMS round Ø3 x 300mm
531.50	BMS round Ø5 x 300mm
531.80	BMS round Ø8 x 300mm

#### Nickel Silver Sheet

557.025	N/S sheet 0.25 x 305 x 152
557.03	N/S sheet 0.30 x 305 x 152
557.05	N/S sheet 0.50 x 305 x 152
557.08	N/S sheet 0.80 x 305 x 152
557.10	N/S sheet 1.0 x 305 x 152

#### Copper Rod

561.0635	Copper rod 6.35mm x 300mm
561.0952	Copper rod 9.52mm x 300mm

#### Brass Sheet

507.0127	Brass sheet 0.13 x 102 x 254mm
507.0254	Brass sheet 0.25 x 102 x 254mm
507.05	Brass sheet 0.5 x 100 x 250mm
507.08	Brass sheet 0.8 x 100 x 250mm

#### Brass Mesh

504.16	Brass mesh 16/16 100 x 150
504.60	Brass mesh 60/60 100 x 150

**NOTE: All items subject to availability**